

INTERFACE FOR AN ICOM IC-705 TO AN ATU-100 (most smd)

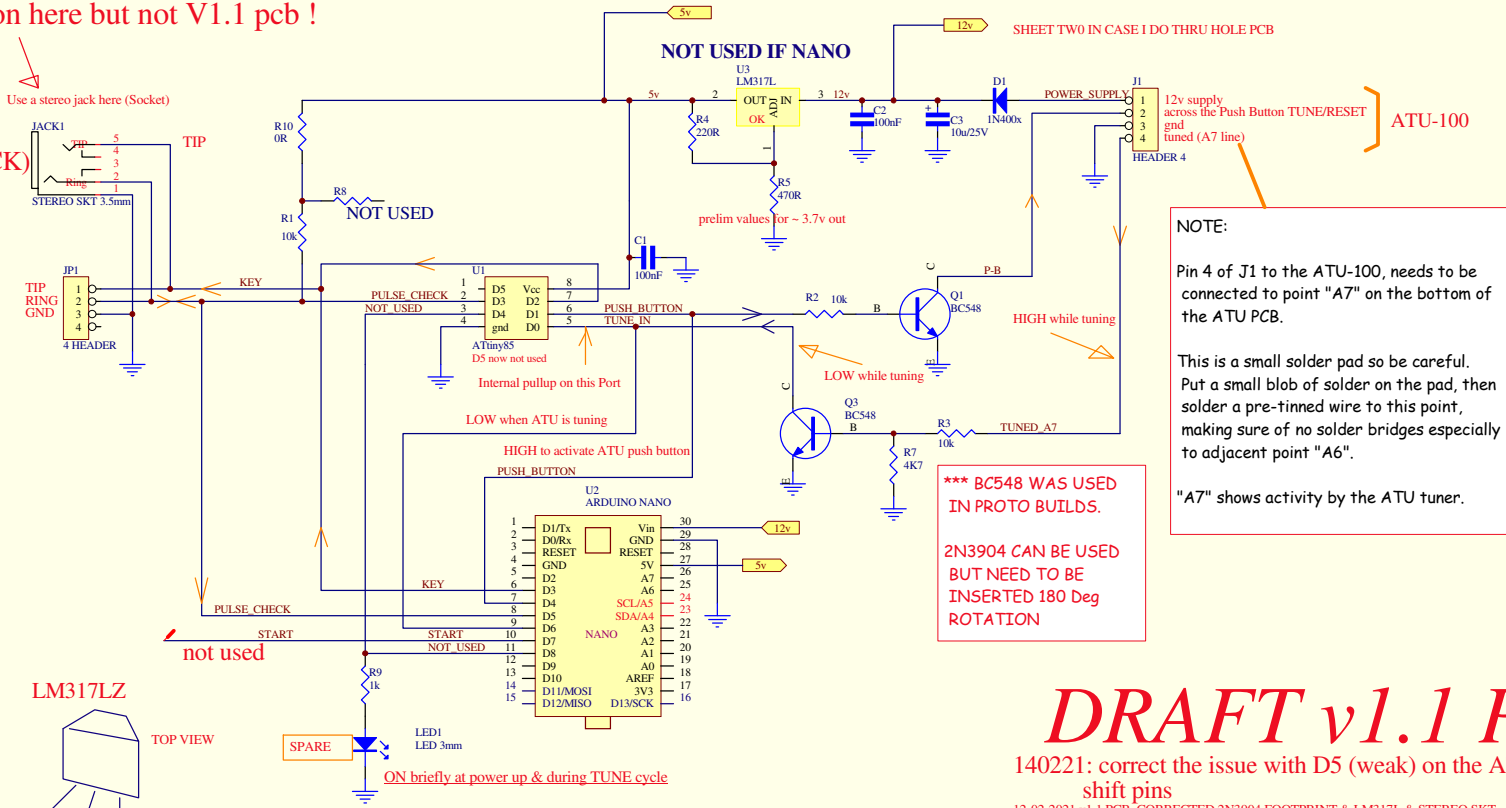
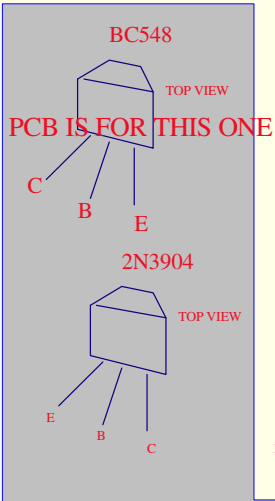
This Schematic is to interface an ICOM IC-705 transceiver to an ATU-100 (by N7DDC) and uses the IC-705's TUNER function BUTTON to initiate "tune" or "reset" of the ATU.

Use EITHER an ATtiny85 or Arduino NANO board
See Sketch for details when compiling
correct the issue with D5 (weak) on the ATtiny

V1.1 PCB has wrong pinout to 3.5mm socket !
this is corrected now on here but not V1.1 pcb !

TO IC-705 (TUNER JACK)

Use a stereo jack here (Socket)



CAUTION: there appears to be 2 versions of pinout for the 2N3904:

DRAFT v1.1 PCB

140221: correct the issue with D5 (weak) on the ATtiny shift pins
12-02-2021 v1.1 PCB_CORRECTED 2N3904 FOOTPRINT & LM317L & STEREO SKT

Q3 now used on both Micro versions & pull-up on that Pin
020221 ADDED ARDUINO NANO ALTERNATE
30th Jan add PNP to START line to IC-705
VK3PE Jan 29TH, 2021 DRAFT

12TH FEB 2021 UPDATED PCB TO V1.1
FOR SOFTWARE, SEE "IC705_ATU100_4.ino" or later
Schematic:- IC-705_INTERFACE-TO-ATU-100_2
PCB v1.0 WAS "IC-705 to ATU-100 interface_x4-2" (4 in panel)

D:\PROJECTS\2021\ATU_100\IC-705\IC-705_INTERFACE-TO-ATU-100_correction_UI_V1.1_NAO_ATtiny85.sch

Title			
Size: A3	Number:	Revision:	(C) VK3PE 2021
File:	Date: 11-Oct-2023	Time: 09:49:12	Sheet 0 of 0